

**Material**

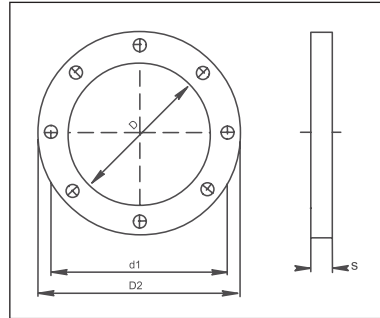
6mm rolled and welded hot galvanised flat iron

**Sizes**

400mm to 1000mm diameter

## Heavy Flanges

Code *FH*



Dimensional specifications are given in the table below

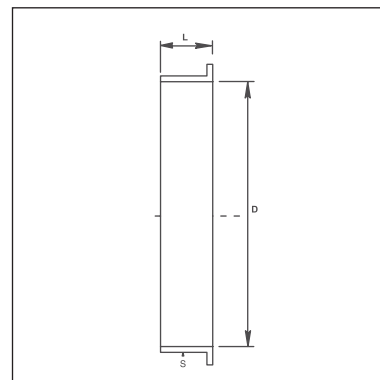
### Dimensional Specifications

PRODUCT CODE	Duct		Flange		o S mm	b Width of flange mm	n Size of hole mm	n Number of holes	Weight kg
	Diameter nominal	D mm	d1 mm	D2 mm					
FH400	400	405	439	465	6.0	30	11	16	2.080
FH450	450	455	489	515	6.0	30	11	16	2.321
FH500	500	505	540	565	6.0	30	11	16	2.561
FH550	550	535	590	615	6.0	30	11	16	2.802
FH600	600	605	640	665	6.0	30	11	16	3.043
FH630	630	635	670	695	6.0	30	11	24	3.188
FH650	650	655	690	715	6.0	30	11	24	3.284
FH700	700	705	750	785	6.0	40	11	24	3.525
FH750	750	755	800	835	6.0	40	11	24	5.085
FH800	800	805	850	885	6.0	40	11	24	5.406
FH850	850	855	900	935	6.0	40	11	24	5.727
FH900	900	905	950	985	6.0	40	11	24	6.084
FH950	950	955	1000	1035	6.0	40	11	24	6.370
FH1000	1000	1005	1050	1085	6.0	40	11	24	6.691

## Heavy Weld Ends

Code *WEH*

### Dimensional Specifications



Dimensional specifications are given in the table

PRODUCT CODE	Length mm	Weight kg
WEH100	35	0.2
WEH125	35	0.3
WEH150	45	0.4
WEH180	45	0.5
WEH200	45	0.5
WEH225	45	0.6
WEH250	45	0.6
WEH275	45	0.7
WEH300	45	0.8
WEH350	45	0.9
WEH400	45	1.0
WEH450	45	1.1
WEH500	50	1.4
WEH550	50	1.6
WEH600	50	1.65

**Material**

2mm steel plate

**Sizes**

100mm to 600mm diameter