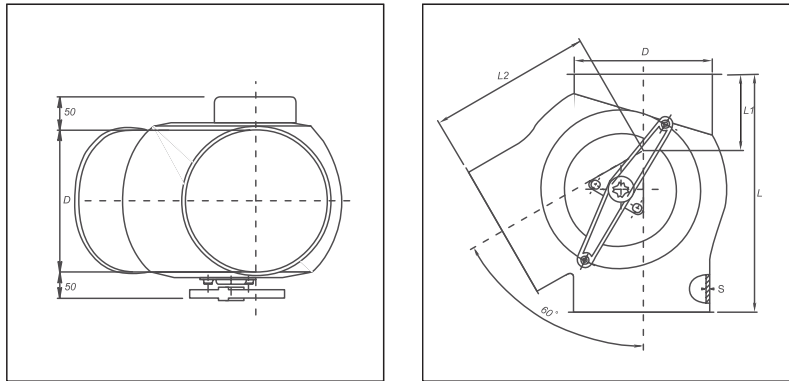


60° Branch Type Diverter Valves

Code DVBM



Dimensional specifications are given in the table below

Dimensional Specifications

PRODUCT CODE	Inside diameter	Housing thickness	Overall Length			Weight kg
	D	S	L	L1	L2	
	mm	mm	mm	mm	mm	
DVBM100	100	1.5	210	70	145	2.2
DVBM125	125	1.5	260	90	170	4.0
DVBM150	150	2.0	290	100	190	5.7
DVBM180	180	2.0	510	195	315	11.0
DVBM200	200	2.0	345	110	230	8.3
DVBM250	250	2.0	415	135	270	13.1
DVBM300	300	2.0	475	160	325	19.3

Material

Pressed steel plate, painted, with 2mm steel plate damper and brass bearings

Sizes

100mm to 300mm

Operation

Manually operated

Note

These diverters can be adjusted to 45° operation though fitting a SpeedLock 15° bend to the left inlet and one outlet

