

**Material**

0.9mm galvanised steel

**Sizes**

Common sizes are a stock item  
Special requirements are manufactured to order

**Dimensions**

Refer to table – customer to specify A, B, & C

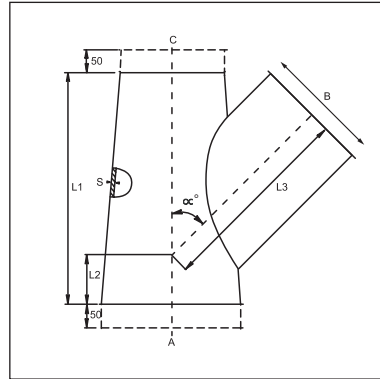
Please note the Branch 'B' determines L1, as in the table below

The maximum diameter reduction between A & C is 200mm. B must however, not be larger then or equal to  $(A + C)/2$

In the case of double branch pieces, the largest branch determines Length L1

# 45° Conical Branch Pieces

Code BPC45



Dimensional specifications are given in the table below

## Dimensional Specifications

A mm	B mm	C mm	L1 mm	L2 mm	L3 mm	$\alpha^\circ$	S mm
Choose (100 - 1000)	80	Choose (100 - 1000)	300	Calculated	Calculated	43.8	0.90
	100		300			43.8	0.90
	120		350			44.0	0.90
	125		350			44.0	0.90
	140		350			44.1	0.90
	150		300			44.2	0.90
	160		400			44.2	0.90
	180		400			44.3	0.90
	200		450			44.4	0.90
	225		500			44.5	0.90
	250		500			44.5	0.90
	275		600			44.6	0.90
	300		600			44.6	0.90
	315		600			44.6	0.90
	350		700			44.7	0.90
	400		800			44.7	0.90
	450		950			44.7	0.90
	500		1050			44.8	0.90
	550		1150			44.8	0.90
	600		1150			44.8	0.90
630	1150	44.8	0.90				
650	1150	44.8	0.90				
700	1300	44.8	0.90				
750	1300	44.8	0.90				
800	1450	44.9	0.90				
850	1450	44.9	0.90				
900	1650	44.9	0.90				

